

[www.baumann-sideloaders.com](http://www.baumann-sideloaders.com)

CAVAION SIDELOADERS  
**BAUMANN**  
the art of working sideways

# THE GX SERIES

5 - 7 TONNES CAPACITY  
With VRS

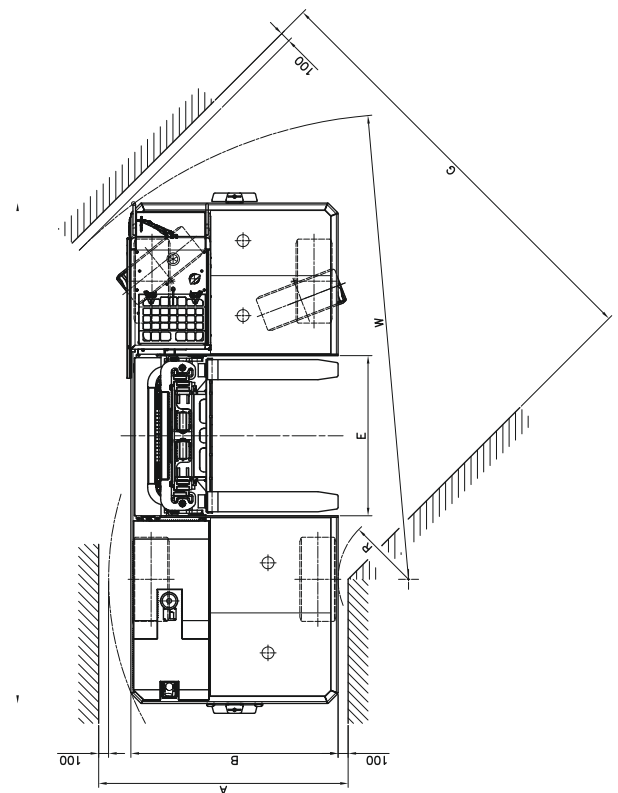
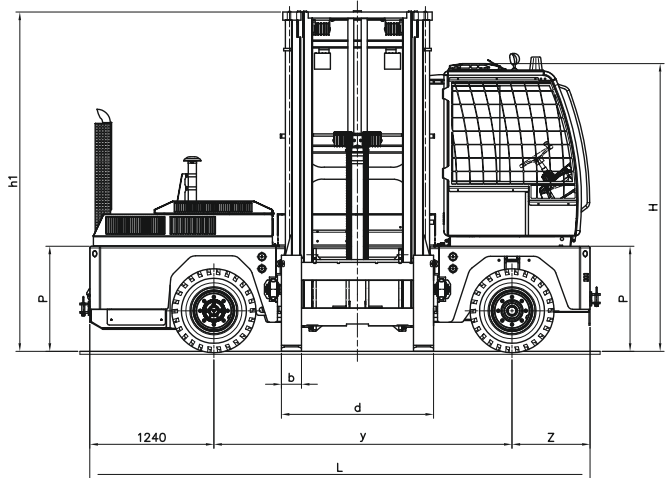
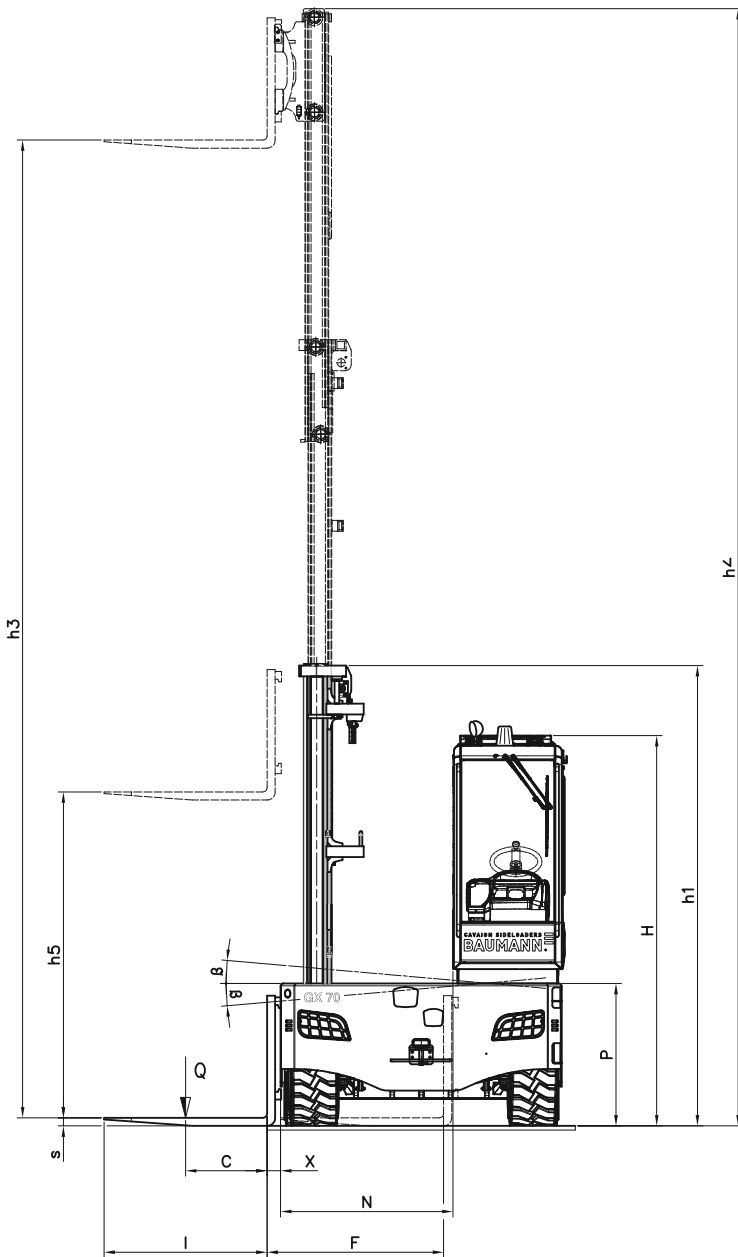


Reliable & robust  
Hydrostatic drive  
Excellent visibility  
Heavy-duty components  
Load-sensing & auto-deck levelling

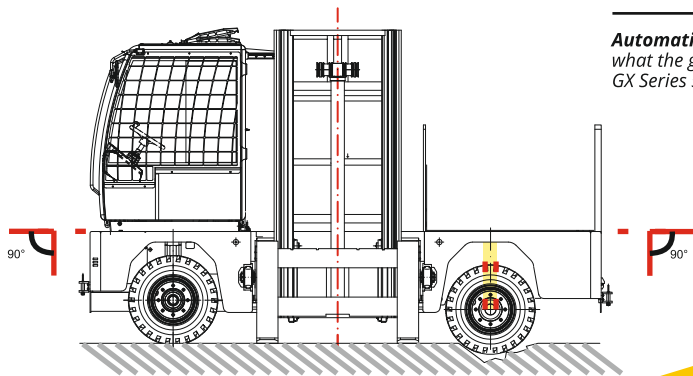
TYPE		GX 50	GX 60	GX 70	GX 80 L	
<b>Technical Data</b>						
Lifting capacity	Q	Kg	5000	6000	7000	8000
Load center	C	mm	600/700	600/700	600/700	600/700
Fork length	l	mm	1200/1400	1200/1400	1200/1400	1200/1400
Fork width	b	mm	200	200	200	200
Fork thickness	s	mm	50	50/60	60	65
Drive			Diesel	Diesel	Diesel	Diesel
Type of steering			Hydrostatic			
Type of tyres			Pneumatic tyres / SE			
<b>Dimensions</b>						
Total length	L	mm	5000	5000	5000	5000
Total width	B	mm	2000/2200	2000/2200	2070/2270	2070/2270
STD mast* height lowered	h1	mm	2990	2990	2990	3030
STD mast* height extended	h4	mm	5025	5025	5025	5090
Cabine height	H	mm	2850/2900	2850/2900	2850/2900	2850/2900
Lift height	h3	mm	4000	4000	4000	4000
Free lift	h2	mm	695	695	695	600
Chassis tilt angle (up/down)		°	1200±4.4 / 1400±3.6			
Platform height	P	mm	1050	1050	1050	1050
Platform width	N	mm	1200/1400	1200/1400	1200/1400	1200/1400
Lateral movement	F	mm	1300/1500	1300/1500	1300/1500	1300/1500
Load spacing max.	x	mm	100	100	100	100
Framework cut	E	mm	1600	1600	1600	1600
Fork spacing max	d	mm	1520	1520	1520	1520
Turning radius inner	R	mm	704	704	704	704
Turning radius outer	W	mm	1200=4660 / 1400=4780		1200=4760 / 1400=4880	
Aisle width	A	mm	1200=2495 / 1400=2680		1200=2565 / 1400=2750	
Aisle width for 90° Turning	G	mm	1200=4330 / 1400=4450		1200=4430 / 1400=4550	
<b>Performance</b>						
Travel with/without load		Km/h	24/24	24/24	24/24	22/22
Lifting with/without load		m/s	0.32/0.32	0.32/0.32	0.32/0.32	0.32/0.32
Lowering with/without load		m/s	0.4/0.3	0.4/0.3	0.4/0.3	0.4/0.3
Traverse with/without load		m/s	0,35	0,35	0,35	0,35
Tractive power		kN	36	36	36	42
Gradeability		%	16/ 18	16/ 18	16/ 18	16/18
<b>Weights</b>						
Weight of truck		Kg	10500	10800	11500	13000
Axle load front		Kg	9500	9500	10500	11400
Axle load rear		Kg	9500	10000	11000	11900
<b>Chassis</b>						
Tyres front/rear			2/2	2/2	2/2	2/2
Tyres size front/rear		Inches	300-15	300-15	355-65/15	355-65/15
Tyres outside diameter		mm	840	840	840	840
Wheel base	Y	mm	2980	2980	2980	2980
Track front	Sp1	mm	1200=1640 / 1400=1840			
Track rear	Sp2	mm	1200=1670 / 1400=1870			
Ground clearance		mm	240	240	240	240
Service brake	hydraulic		Front			
Parking brake	hydraulic		Drive Wheels			
<b>Drive</b>						
Diesel engine manufacturer			DEUTZ	DEUTZ	DEUTZ	DEUTZ
Type		KW	TCD 3.6 - 74.4kW/ 2.000 rpm	TCD 3.6 - 74.4kW/ 2.000 rpm	TCD 3.6 - 74.4kW/ 2.000 rpm	TCD 3.6 - 100kW/ 2.000 rpm
Power		PS	101	101	101	136
Speed		n/min	2000	2000	2000	2000
Cylinder / displacement		x/cm³	4/3600	4/3600	4/3600	4/3600
Transmission			Direct			
Gearbox			Hydrostatic			
Battery		V/Ah	14V 120Ah 1000 A	14V 120Ah 1000 A	14V 120Ah 1000 A	14V 120Ah 1000 A

\*STD mast: 4000mm Duplex

GX 50 - 70		Lift Height	Lowered	Extended	Free Lift	GX 80 L		Lift Height	Lowered	Extended	Free Lift
		h3 mm	h1 mm	h4 mm	h2 mm			h3 mm	h1 mm	h4 mm	h2 mm
Duplex-Standard ST	3500	2740	4525	695	Duplex-Standard ST	3500	2780	4590	600		
	4000	2990	5025	695		4000	3030	5090	600		
	4500	3240	5525	695		4500	3280	5590	600		
	5000	3490	6025	695		5000	3530	6090	600		
	5500	3740	6525	695		5500	3880	6790	600		
	6000	3990	7025	695		6000	4130	7290	600		
Triplex-Free Lift TR	4800	2590	5825	1565	Triplex-Free Lift TR	4800	2630	5880	1550		
	5100	2690	6125	1665		5100	2730	6180	1650		
	5400	2790	6425	1765		5400	2830	6480	1750		
	5700	2890	6725	1865		5700	2930	6798	1850		
	6000	2990	7025	1965		6000	3030	7080	1950		
	6300	3090	7325	2065		6300	3230	7380	2150		
	6600	3190	7625	2165		6600	3330	7680	2250		
	6900	3290	7925	2265							
7200	3390	8225	2365								



**What's New?** The GX series features the Tier 4 Deutz TCD 3.6 diesel engine (with Diesel Oxidation Catalyst & AdBlue), re-designed chassis, refined ergonomic cabins, and joystick controllers, offering the highest levels of durability & control in the market. The Variable Reach System (VRS) delivers high precision & productivity via the award-winning, low-maintenance Archimedes outreach method.



**Automatic deck-levelling:** No matter what the ground conditions, Baumann GX Series sideloaders keep loads level.

## The blending of innovation, productivity and durability.

**Baumann machines can cope with almost anything you can throw at them.**

Our chassis are built to exacting standards, while our masts have a unique profile designed for the specific demands of working sideways.

Toughness is just one of the secrets to our success, helping our equipment to be known worldwide for its durability and reliability.

Baumann is also renowned as an innovator, especially in the important areas of safety and productivity.

Our Variable Reach System (VRS) with Archimedes Outreach is the most advanced development in sideloader

design in over 40 years. We have been nominated five times in Fork Lift Truck Association's Innovation Awards and are the only sideloader manufacturer to receive the prestigious Watt d'Or by the Swiss Federal Office of Energy.

With a strong reputation for our ability to customise standard models around specific needs, we are a reliable and professional partner, particularly in after-sales.

Our panoramic operator cabs offer the very latest technology, efficient use of space and high levels of ergonomics.

It all adds up to an enviable package blending the perfect levels of innovation, productivity and durability.



CAVAION SIDELOADERS  
**BAUMANN** 

BAUMANN S.r.l.  
I-37010 CAVAION (Verona)  
Via Palesega, 1  
Telephone +39 045 6 20 53 11  
Fax +39 045 6 20 53 55  
info@baumann-online.it  
www.baumann-online.it

